

# YE-139XS DIN SOCKET CHASSIS MOUNT BAYONET LOCKING

## MATERIAL :

1. SHIELD COVER : Zn ALLOY NICKEL PTD.
2. GND CONT. : COPPER NICKEL PTD.
3. HOUSING : PA66
4. TERMINALS : BRASS SILVER PTD.

## SPECIFICATION :

Rating : 100V AC 1A max.

Contact Resistance :

Pins 30mΩ max.

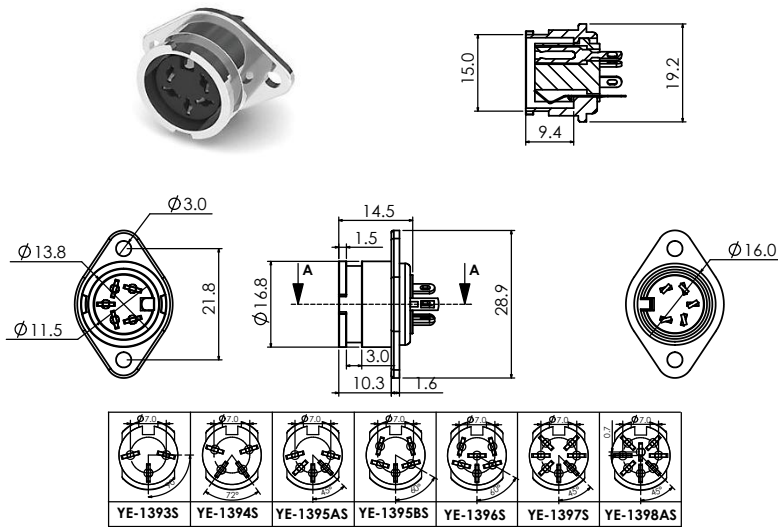
Shell 50mΩ max.

Insulation Resistance :

100MΩ at 500V DC min.

Voltage Withstand :

250V AC for 1 minute



YE-1393S



YE-1394S



YE-1395AS



YE-1395BS



YE-1396S



YE-1397S



YE-1398AS